



Vibro-Energy® Separator Dimensions

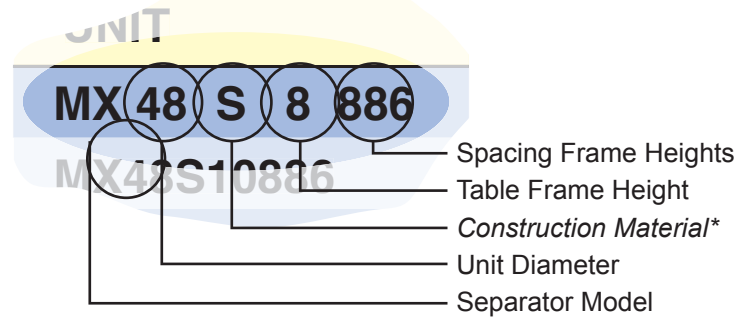
With the purchase of a SWECO Separator, you are selecting a product backed by decades of manufacturing experience, engineering excellence and product innovation. As an owner of a SWECO Separator, your decision to buy the best in screening equipment brings with it these added services:

- Availability of your local SWECO District Engineer for as long as you own a SWECO Separator.
- The SWECO Application Engineering Staff, library and test facilities providing sound technical backup.
- A global presence to reassure you that wherever you go there will always be a SWECO facility or sales office to help you with your process.

Please be advised that the dimensions and weights depicted in these models are estimates. For a more accurate representation, consult your local representative or SWECO Headquarters for a certified drawing.

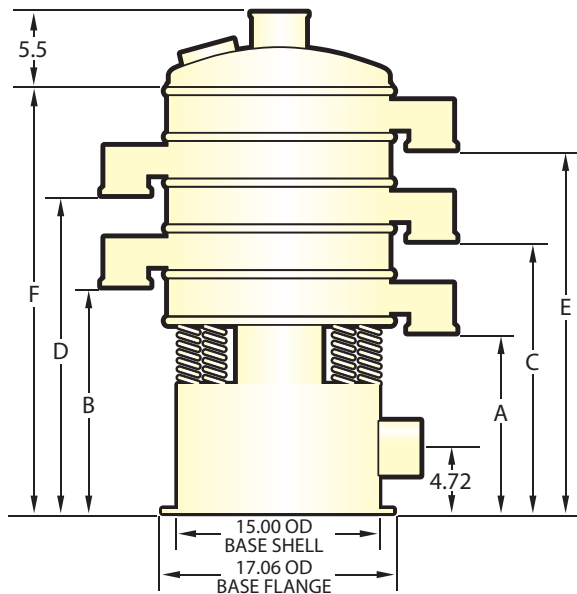
SWECO has patents granted and pending in the United States and other countries.

Model Number Diagram



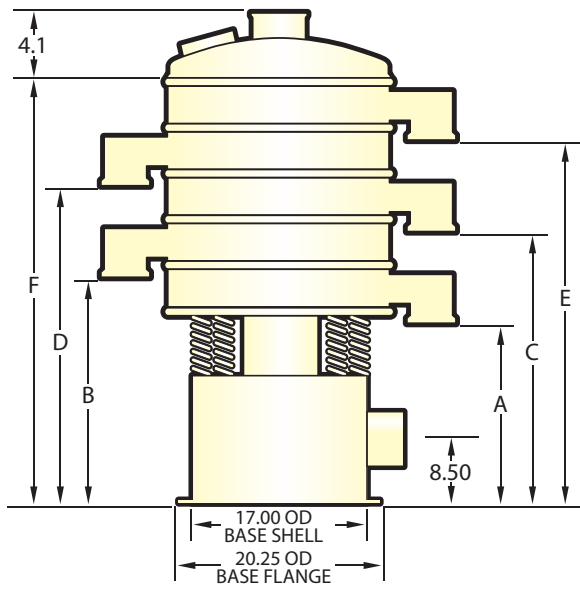
Construction Material*

SWECO Separators are available in various materials of construction. In the model number, the fifth space allocation will be characterized by one of the following: "C" designates Carbon Steel, "S" designates 304 Stainless Steel, "Y" designates 316L Stainless Steel and "K" designates special material.



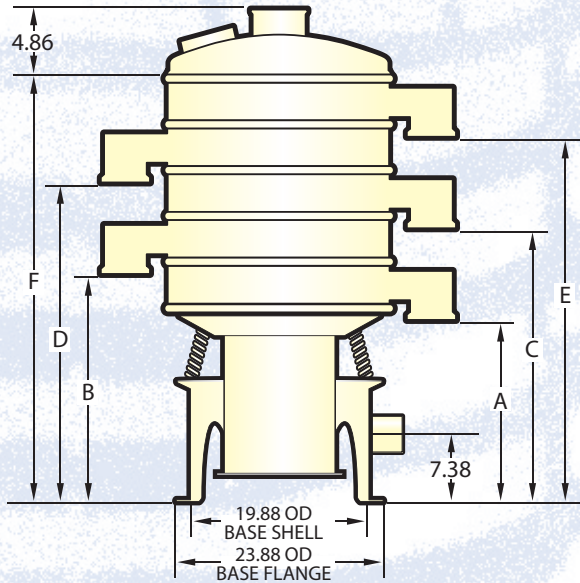
LS18

UNIT	A		B		C		D		E		F		Weight	
	in	mm	in	mm	in	mm	in	mm	in	mm	in	mm	lb	kg
LS18_33	13.6	346	17.1	435							20.9	530	200	91
LS18_55	13.6	346	19.1	486							24.9	632	204	93
LS18_333	13.6	346	17.1	435	20.5	521					24.4	619	210	95
LS18_555	13.6	346	19.1	486	24.5	622					30.4	772	216	98
LS18_3333	13.6	346	17.1	435	20.5	521	24.0	610			27.9	708	220	100
LS18_33333	13.6	346	17.1	435	20.5	521	24.0	610	27.4	695	31.3	794	230	105



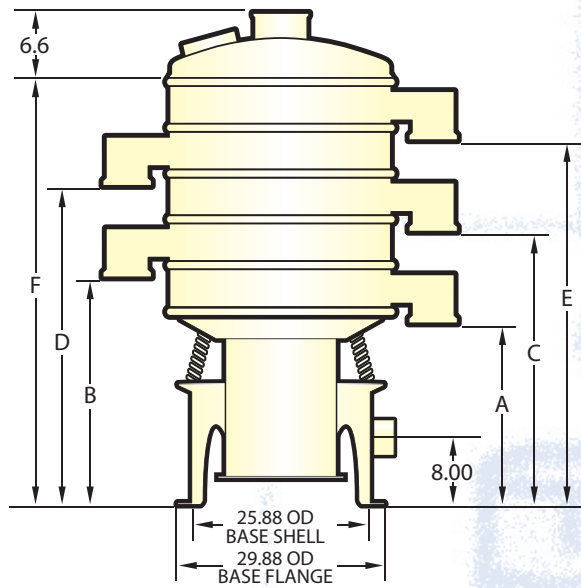
ZS24

UNIT	A		B		C		D		E		F		Weight	
	in	mm	in	mm	in	mm	in	mm	in	mm	in	mm	lb	kg
ZS24_44	15.08	383	19.55	497							25.09	637	250	113
ZS24_66	15.08	383	21.55	547							29.09	739	260	118
ZS24_444	15.08	383	19.55	497	24.02	610					29.56	751	275	124
ZS24_6666	15.08	383	21.55	547	26.02	661					33.56	852	285	129
ZS24_4444	15.08	383	19.55	497	24.02	610	28.49	724			34.03	864	300	135
ZS24_44444	15.08	383	19.55	497	24.02	610	28.49	724	32.96	837	38.50	978	325	147



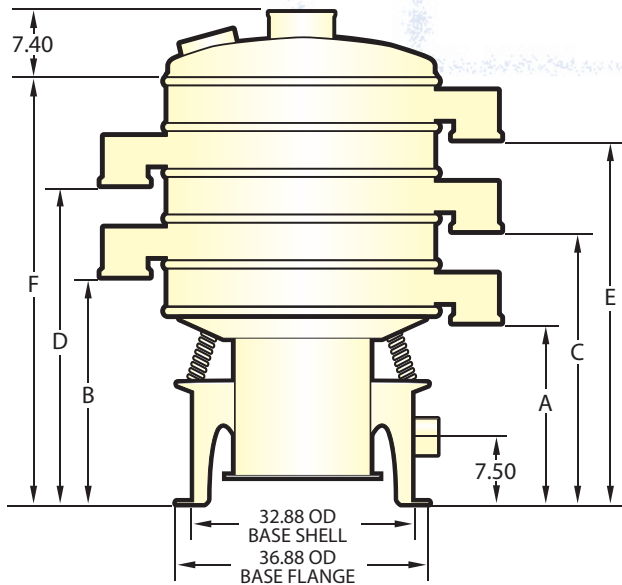
MX30

UNIT	A		B		C		D		E		F		Weight	
	in	mm	in	mm	in	mm	in	mm	in	mm	in	mm	lb	kg
MX30_66	16.76	426	23.13	587							30.51	775	400	182
MX30_666	16.76	426	23.13	587	29.75	755					37.13	943	475	216
MX30_6666	16.76	426	23.13	587	29.75	755	36.25	920			43.63	1108	525	239
MX30_66666	16.76	426	23.13	587	29.75	755	36.25	920	42.64	1083	50.13	1273	600	273



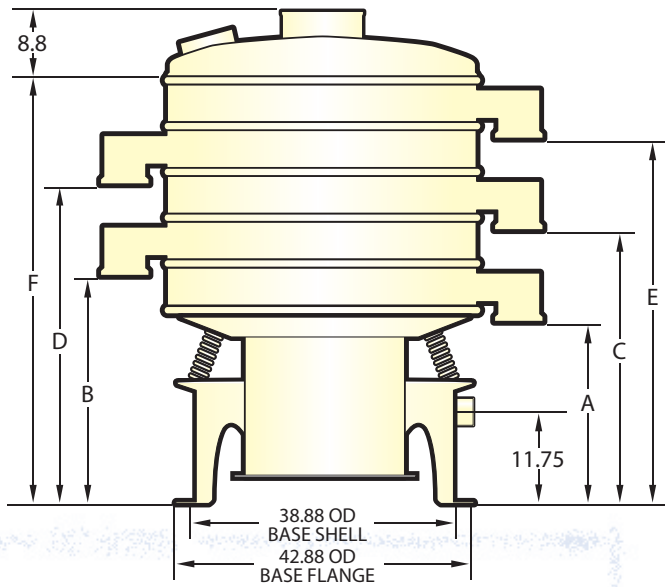
MX40

UNIT	A		B		C		D		E		F		Weight	
	in	mm	in	mm	in	mm	in	mm	in	mm	in	mm	lb	kg
MX40_66	21.19	538	27.66	703							35.20	894	550	250
MX40_88	21.19	538	29.66	754							39.20	995	575	261
MX40_666	21.19	538	27.66	703	34.13	867					41.67	1059	625	284
MX40_888	21.19	538	29.66	754	38.13	965					47.67	1208	675	307
MX40_6666	21.19	538	27.66	703	34.13	867	40.60	1027			48.14	1218	700	318
MX40_8888	21.19	538	29.66	754	38.13	965	46.60	1180			56.14	1370	725	330
MX40_66666	21.19	538	27.66	703	34.13	867	40.60	1027	47.07	1090	54.61	1377	775	352
MX40_88888	21.19	538	29.66	754	38.13	965	46.60	1180	55.07	1395	64.61	1532	775	352



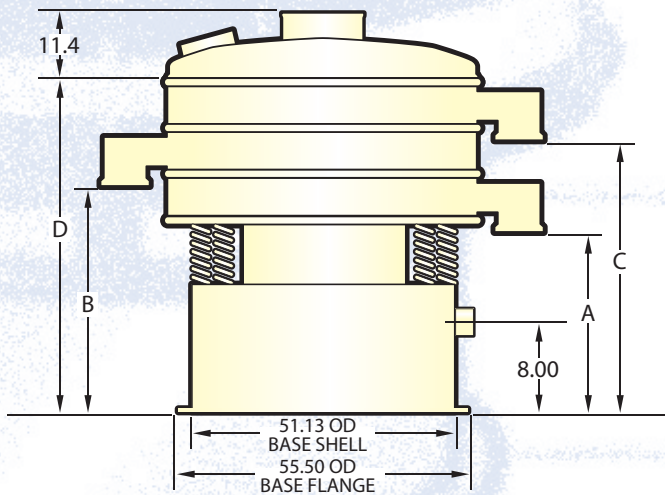
MX48

UNIT	A		B		C		D		E		F		Weight	
	in	mm	in	mm	in	mm	in	mm	in	mm	in	mm	lb	kg
MX48_66	22.69	576	29.19	741							36.57	928	725	330
MX48_88	22.69	576	31.19	792							40.57	1030	725	330
MX48_666	22.69	576	29.19	741	35.57	903					43.07	1093	825	375
MX48_888	22.69	576	31.19	792	41.57	1005					49.07	1246	825	375
MX48_6666	22.69	576	29.19	741	35.57	903	42.07	1068			49.44	1255	925	420
MX48_66666	22.69	576	29.19	741	35.57	903	42.07	1068	48.57	1233	55.81	1417	1025	466



MX60

UNIT	A		B		C		D		E		F		Weight	
	in	mm	in	mm	in	mm	in	mm	in	mm	in	mm	lb	kg
MX60_86	21.25	539	29.75	755							37.13	943	725	330
MX60_88	21.25	539	29.75	755							39.13	993	750	341
MX60_810	21.25	539	29.75	755							41.13	1044	775	352
MX60_886	21.25	539	29.75	755	38.13	968					45.63	1159	900	409
MX60_888	21.25	539	29.75	755	38.13	968					47.63	1209	900	409
MX60_8106	21.25	539	29.75	755	40.13	1019					47.63	1209	900	409
MX60_8108	21.25	539	29.75	755	40.13	1019					49.63	1260	900	409
MX60_81010	21.25	539	29.75	755	40.13	1019					51.63	1311	925	420
MX60_8886	21.25	539	29.75	755	38.13	968	46.65	1184			54.00	1371	1025	466
MX60_8888	21.25	539	29.75	755	38.13	968	46.65	1184			56.00	1422	1025	466
MX60_88888	21.25	539	29.75	755	38.13	968	46.65	1184	55.12	1400	64.56	1640	1150	523
MX60_888810	21.25	539	29.75	755	38.13	968	46.65	1184	55.12	1400	66.56	1691	1660	755



XS72

UNIT	A		B		C		D		Weight	
	in	mm	in	mm	in	mm	in	mm	lb	kg
XS72_108	22.41	569	33.01	838			42.76	1086	1800	818
XS72_1010	22.41	569	33.01	838			44.76	1137	1975	898
XS72_1012	22.41	569	33.01	838			46.76	1188	2000	909
XS72_10108	22.41	569	33.01	838	43.54	1106	53.25	1353	2050	930
XS72_10128	22.41	569	33.01	838	45.54	1157	55.25	1403	2100	955