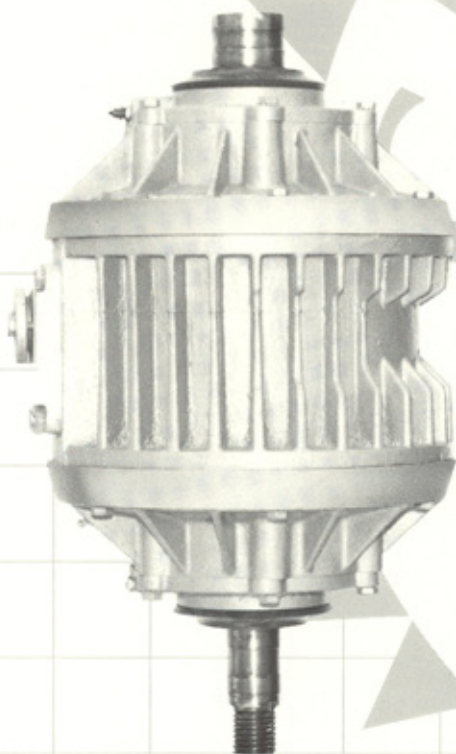


# **SWECO REPAIR *PLUS***

## **MOTION GENERATORS**

### **REPAIRED AS GOOD AS NEW.**



**Repairs to OEM specs**

**Repairs and rebuilds  
guaranteed for six months**

**Free inspection &  
failure analysis**

# **GUARANTEED.**



# SWECO REPAIR PLUS

## Authorized repairs to current OEM specs (and more) for SWECO Motion Generators:

**Guaranteed repairs!** We warranty our repair work for six full months, with an optional 12-month extended warranty.

**Free inspection.** We'll inspect your motion generator, tell you what's wrong and provide a firm repair quote. Then you choose whether you want it repaired or replaced with a rebuilt or new model.

**Quick response.** Our fast service minimizes downtime.

**Free breakdown analysis.** We include analysis of why

your motion generator failed and tell you how to avoid future failures.

### Latest field-tested improvements.

We bring your motion generator up to current specs and recommend accessories or modifications to increase service life.

**ASAP authorized parts.** We use only Authorized SWECO Aftermarket Parts for trouble-free performance.

**Free installation advice.** The latest Operations, Maintenance and Specifications manual and an instruction sheet are included to ensure proper reinstallation.

**The industry's only guaranteed OEM rebuilds.** Satisfaction is assured when your SWECO motion generator is remanufactured by the originators. SWECO quality rebuilds are warranted for 6 months, 12-month extended warranty optional.

### Clean, modern repair facilities.

Repairs are made by factory-trained technicians in clean, state-of-the-art facilities—ensuring that your motion generator is repaired to optimum performance.

## Modifications for severe or unusual environments

When analysis indicates failure was caused by unusual conditions, we offer optional modifications to extend the operating life of your repaired motion generator. Optional modifications include:

- Chemical duty/wash down package
- "Liquid seal" contamination excluders
- Automatic, continuous lubrication system
- Severe moisture modifications
- Extra heavy duty bearings for maximum loading conditions

## SWECO—The High-Technology Innovators

**1.** Extra-strong, high tensile strength castings suitable for explosion-proof applications provide rugged, vertical mounting support for severe vibration service.

**3.** Extra heavy-duty cable for longest life.

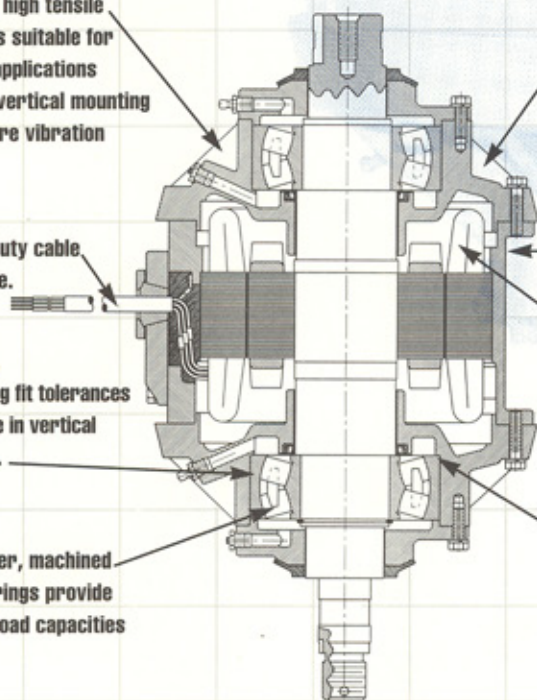
**5.** Tighter bearing fit tolerances provide longer life in vertical mounting position.

**7.** Larger, tougher, machined brass-caged bearings provide highest dynamic load capacities for longest life.

**2.** CAD-designed, deep convection cooling ribs and rotor fins provide optimum cooling for longest lubricant and winding life.

**4.** Fully laced, multiple-dipped and baked windings provide highest reliability in vibratory service.

**6.** Premium lubricants offer excellent mechanical stability and corrosion protection in high temperature, vibratory service.



Trust your repairs to the originators!  
**SWECO REPAIR SERVICES**

859-283-8400  
859-283-8469 FAX



7120 New Buffington Road  
Florence, KY 41042